

TSR-C3305



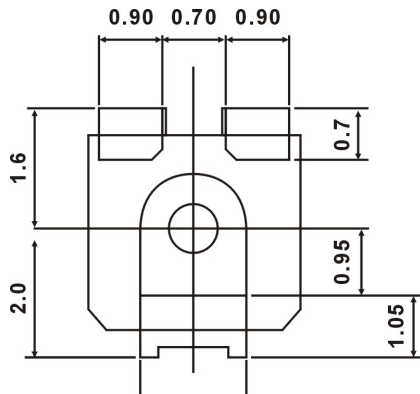
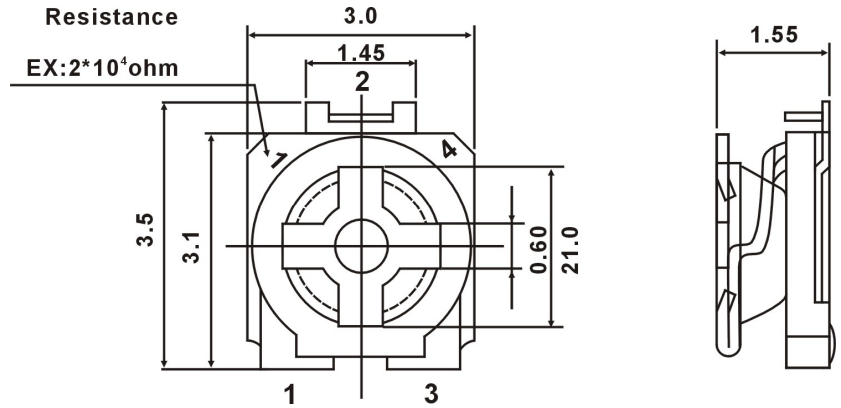
- Single-Turn/ Cermet/ Open Frame
- Recommended for reflow processing
- Rotor design compatible with automatic adjustment equipment
- Supplied in 8mm embossed tape, compatible with automatic Assembly equipment
- 3mm size meets EIA/EIAJ standard trimmer footprint

Electrical Characteristics	
Standard Resistance Range	10Ω to 1MΩ (see standard resistance table)
Resistance Tolerance	±25%
Adjustment Angle	220° ± 20°
Residual Resistance	=<1K, 20Ω>1K, 2%)

Environmental Characteristics	
Power Rating (Max Working Voltage)	50V
70°C	0.1Watt
Temperature Range	-55°C to +125°C
Temperature Coefficient	±250ppm/°C
Rotational Life	±10%
Load Life	1000 hours 0.1Watt 70°C +5%
Contact Resistance Variation	5% max

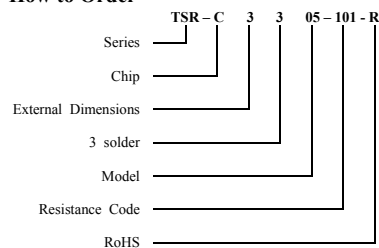
Physical Characteristics	
Torque (Operating)	20-200gf. Cm
Soldering Conditions	220°C to 240°C And within 5 seconds
Marking	Resistance Code
Standard Packing	2000 PCS / 7" REEL
Aqueous cleaning not recommended	

TSR-C3305



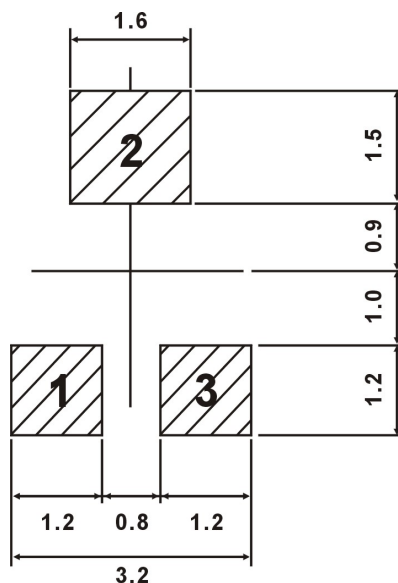
circuit diagram

How to Order



Standard Resistance table

Resistance(Ohms)	Resistance Code
100	101
220	221
330	331
470	471
500	501
1,000	102
2,200	222
3,300	332
4,700	472
1,000,000	105



Recommended land pattern

TSR-C3305

TAPING SPECIFICATION

1 taping quantity 2000pcs. / 7"reel
 2 peeling strength of cover tape 10-100gf
 3 taping method fig-1

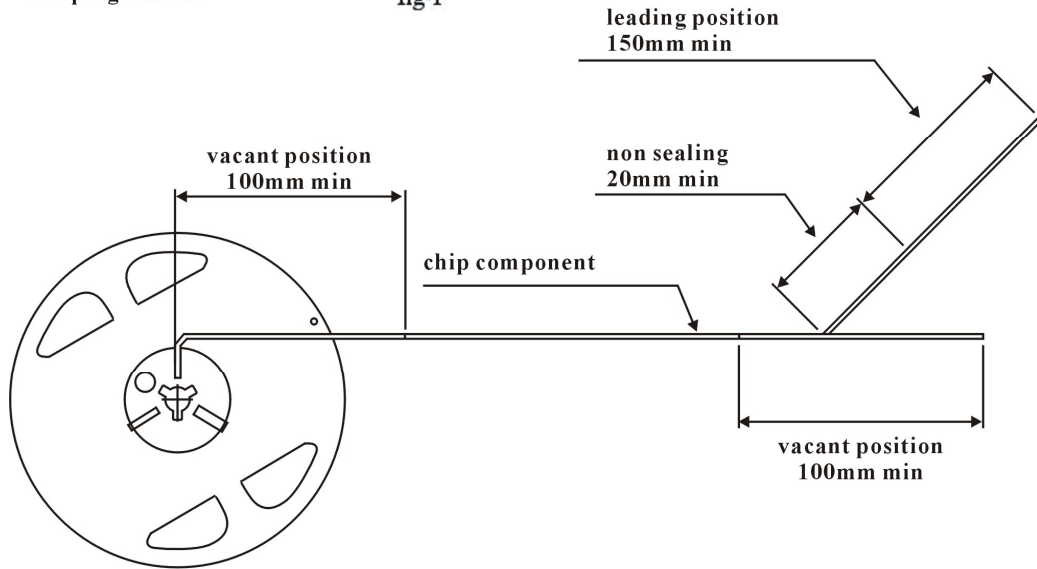
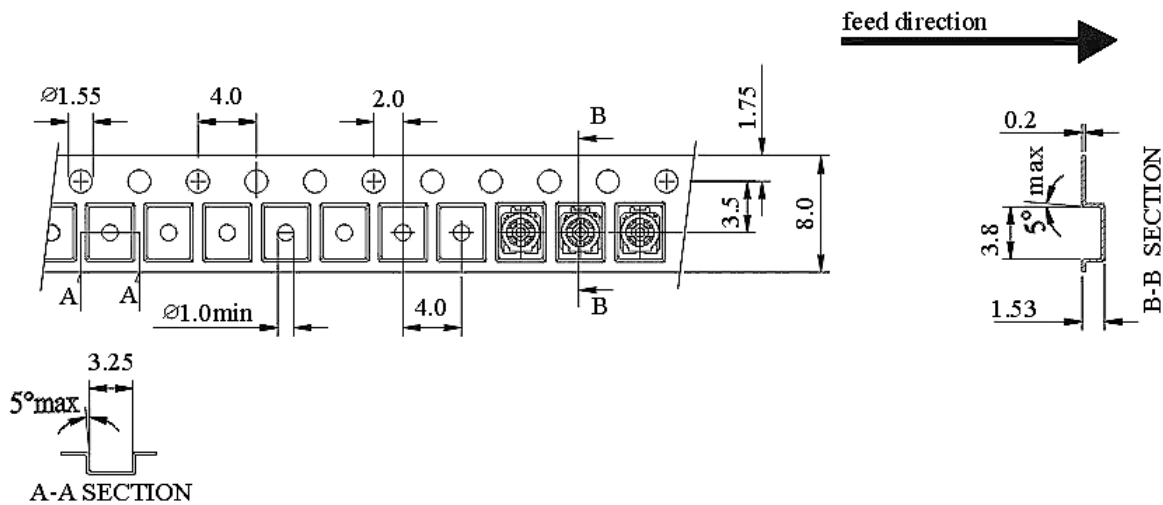
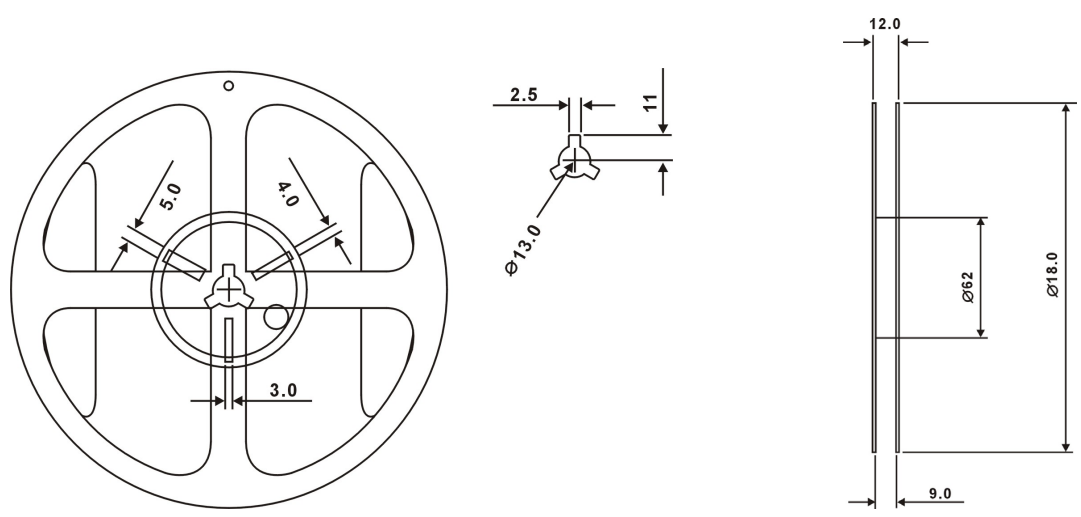


fig-1



A-A SECTION

B-B SECTION



Note: Specification are subject to change without notice. For more detail and update, please visit our website.